

# TEAC

## SERVICE MANUAL

---

# CT-M485

20" CTV

---

|   |
|---|
| <b>MODEL:</b> CT-M511S, 515S, 483, 484, 485               |
| <b>PROBLEM:</b> FLAGWAVING WITH MACROVISION ENCODED TAPE. |

Instructions:

Replace C137 with 680pF ceramic capacitor.

In some televisions you may require a 470pF ceramic capacitor.

Regards,

Fabian Lubanovic  
TEAC Australia Pty Ltd.

SPECIFICATION

|                         |            |                          |   |
|-------------------------|------------|--------------------------|---|
| SYSTEM                  | :          | PAL- B/G (FOR AUSTRALIA) |   |
|                         |            | ----- TV SECTION -----   |   |
| CHANNEL COVERANGE       | VHF LOW    | :                        | 0-5 CH.                                   |
|                         | VHF HIGH   | :                        | 5A-11 CH.                                 |
|                         | UHF        | :                        | 21-65 CH.                                 |
| FREQUENCY RANGE         | VHF LOW    | :                        | 45-108 MHz                                |
|                         | VHF HIGH   | :                        | 137-230 MHz                               |
|                         | UHF        | :                        | 470-830 MHz                               |
| VISION/SOUND SEPARATION |            | :                        | 5.5 MHz                                   |
| FREQUENCY VIDEO IF      |            | :                        | 38.9 MHz                                  |
|                         | SOUND IF   | :                        | 33.4 MHz                                  |
| SENSITIVITY             | VHF LOW    | :                        | 47 dBuV                                   |
| (AT 30dB S/N)           | VHF HIGH   | :                        | 47 dBuV                                   |
|                         | UHF        | :                        | 50 dBuV                                   |
| SCANNING LINES          |            | :                        | 625 lines                                 |
|                         | HORIZONTAL | :                        | 15625 Hz                                  |
|                         | VERTICAL   | :                        | 50 Hz                                     |
| OUTPUT POWER MAXIMUM    |            | :                        | 1800 mW                                   |
|                         | 10% THD    | :                        | 1300 mW                                   |
| C R T .                 |            | :                        | 20" DIAGONAL, 90 DEGREES DEFLECTION ANGLE |
| SPEAKER                 |            | :                        | 4" 8OHM 3W x 2                            |
| ANTENNAL EXTERNAL       |            | :                        | 75 OHM                                    |
| POWER CONSUMPTION       |            | :                        |   |

## VIF ALIGNMENT

### A. Preparation Step (See Fig. 1)

- (i) Connect AGC bias voltage to TP101, the DC supply should be turned off this time.
- (ii) Connect 14V B+ bias voltage to D403 (-) and Ground.
- (iii) Connect sweep generator to tuner test point and Ground.
- (iv) Connect waveform detector to TP102 and Ground.

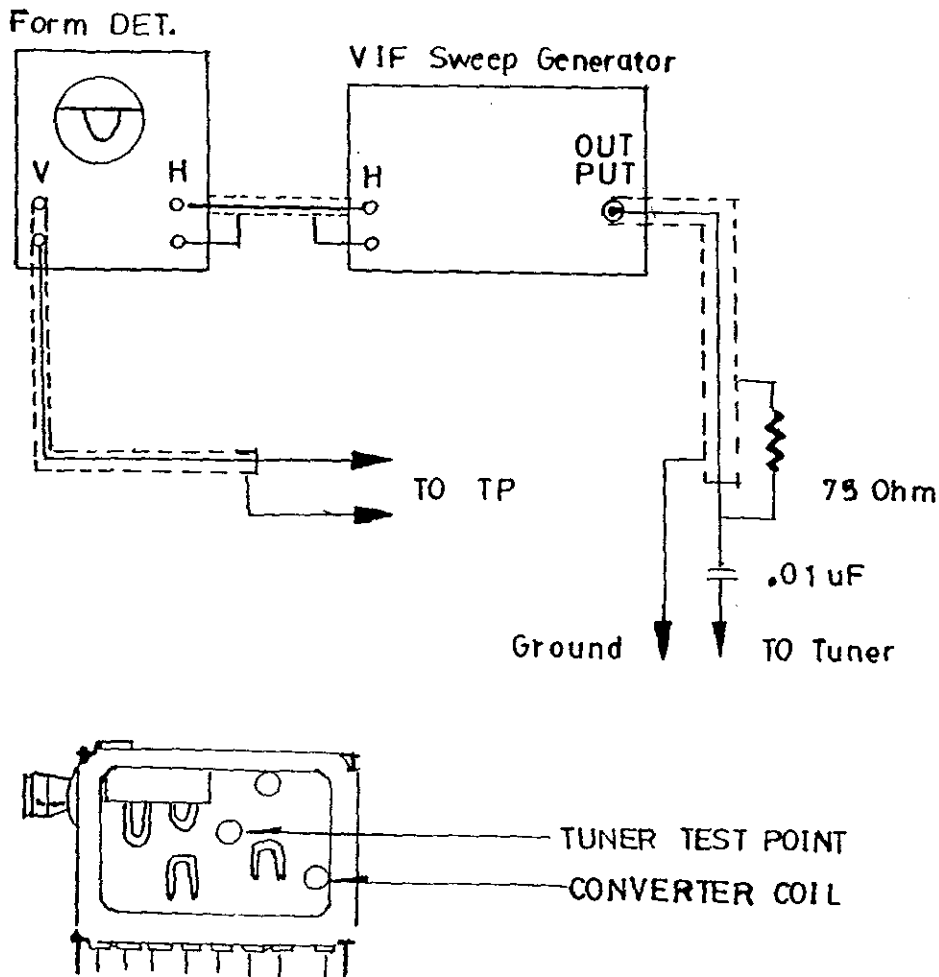


Fig. 1

B. Tank Coil Alignment Step (See Fig. 2)

- (i) Calibrate the Division of waveform Detector equal to 100 mV per div.
- (ii) The output of sweep generator should be -50dB.
- (iii) Connect TP108 to Ground.
- (iv) Adjust AGC bias until the output waveform equal to 1V p.p. (10 div.)

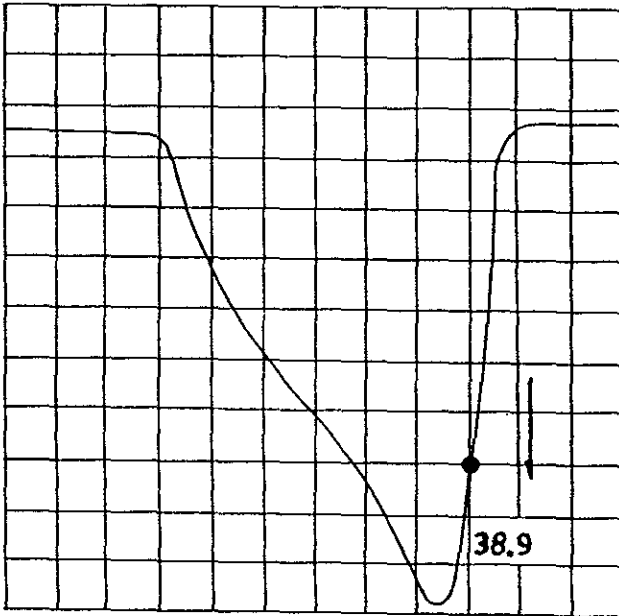


Fig.2

- (v) Turn T102 until the marker 38.9MHz falls to the lowest point as Fig.2.

C. VIF Alignment

- (i) Connect 100 ohm resistor between TP105 and TP106.
- (ii) Adjust T103 until obtain the maximum waveform amplitude. (If Provided.)
- (iii) Adjust AGC bias, and maintain the waveform achieve 1V pp.
- (iv) Adjust tuner convertor coil, and obtain the waveform as Fig.3

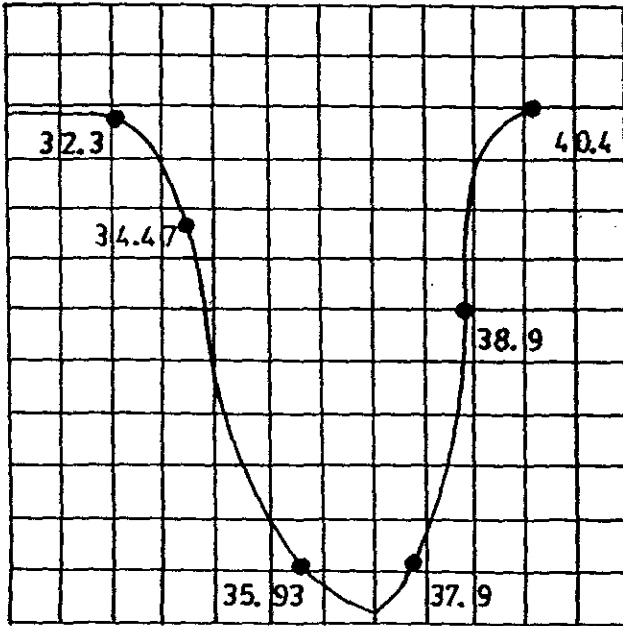
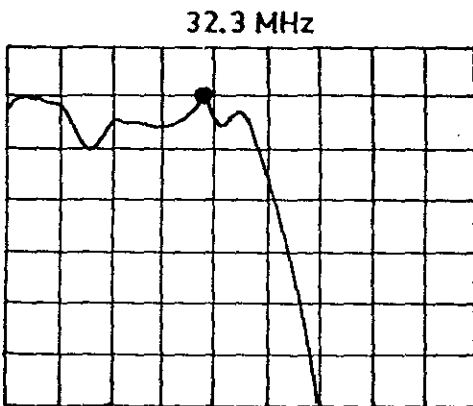


Fig.3

- (v) Increase the output level of sweep Generator.
- (vi) Turn T101 to obtain waveform as follow:



D. AFC Alignment

- (i) Remove the 100 ohm resistor from TP105 and TP106.
- (ii) Connect the waveform detector to TP104. The output of sweep generator should be -40dB.
- (iii) Adjust AGC bias to 5V.
- (iv) Adjust T101 to obtain waveform as Fig.4.

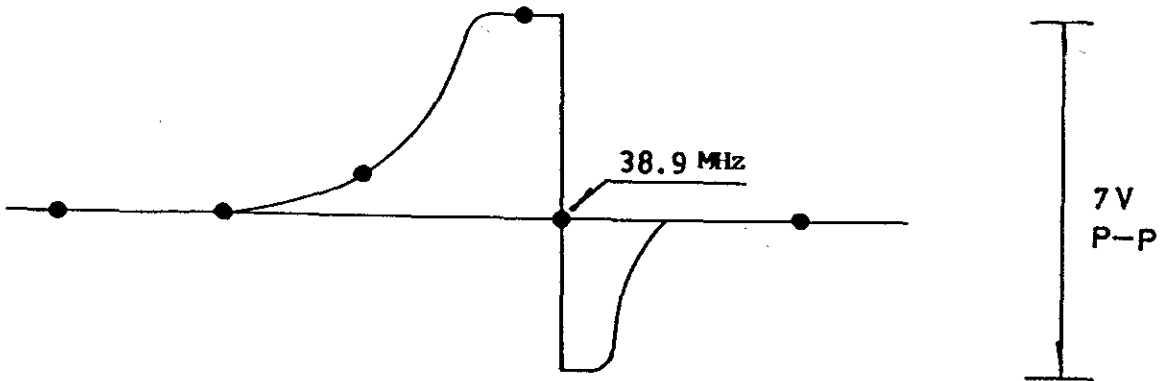


Fig.4

## B. SIF Alignment

- (i) Connect the sweep generator to TP102.
- (ii) Connect waveform detect to TP111.
- (iii) The output of sweep generator should be -50dB.
- (iv) Adjust T104 to obtain the waveform as Fig.5.

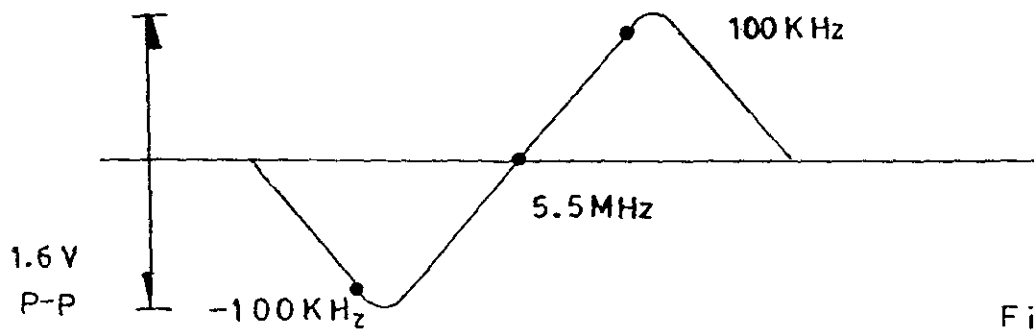


Fig.5



#### B+ ADJUSTMENT

- 1) Connect a digital volt meter to TPB+ and ground.
- 2) Set Brightness, contrast and colour to maximum.
- 3) Adjust VR901 and obtain a reading of 110V.

#### HORIZONTAL CIRCUIT ADJUSTMENT

- 1) Receive Monoscope Pattern input signal 80dB $\mu$ V.
- 2) IC302 (PIN 28,29) short by 1K ohm resistor.
- 3) Adjust VR302 to obtain the picture running at center.
- 4) Adjust VR303 to obtain the picture at center.

#### VERTICAL CIRCUIT ADJUSTMENT

- 1) Receive the Monoscope Pattern.
- 2) Adjust V-size (VR401) to obtain a normal picture.

### WHITE BALANCE ADJUSTMENT

1. Receive a black and white picture signal.
2. Turn the red and blue LOW-LIGHT (VR501,502,504) controls to middle position, and turn the DRIVE (VR503,505) controls to middle position.
3. Turn the SCREEN control on the FBI to minimum position.
4. Set the SUB-BRIGHTNESS (VR304) control to middle position, then set the CONTRAST control and COLOR control to minimum position.
5. Set the SERVICE switch (S301) to 'SERVICE' position.
6. Connect volt meter between (Q501 'C') and ground, and adjust BRIGHTNESS CONTROL TO THE READING OF DC140V. If DC 140V can not be obtain, adjust the SUB-BRIGHTNESS control (VR304).
7. Slowly turn ;the SCREEN control clockwise to the point where a horizontal line just illuminates.
8. Adjust VR501 to get a red horizontal line on CRT.
9. Adjust VR502 to get a yellow horizontal line on CRT.
10. Adjust VR504 to get a white horizontal line on CRT.
11. Reset the SERVICE switch (S301) to 'NORMAL' position and turn BRIGHTNESS control to middle position.
12. Adjust DRIVE (VR503,505) controls to obtain a uniform white picture.

### SUB-BRIGHTNESS ALIGNMENT

1. Received Philips Pattern.
2. Set controls as follow:

|                    |       |               |
|--------------------|-------|---------------|
| BRIGHTNESS control | ..... | Min. Position |
| CONTRAST control   | ..... | Min. Position |
| COLOR control      | ..... | Min. Position |
3. Adjust SUB-BRIGHTNESS control VR304 until picture just illuimates.

### FOCUS ADJUSTMENT

1. Set CONTRAST control to maximum position and BRIGHTNESS control to middle position.
2. Adjust FOCUS control (on the FBI) to obtain a sharpest and clearest picture on the CRT.

### RF AGC ALIGNMENT

1. Receive the signal of BAND-III (UHF) channel, and set the AFC switch to 'ON' position.
2. Set the input field strength in  $62 \pm 3$  dB.
3. Adjust RF AGC (VR101) control to the point where noise is disappeared.

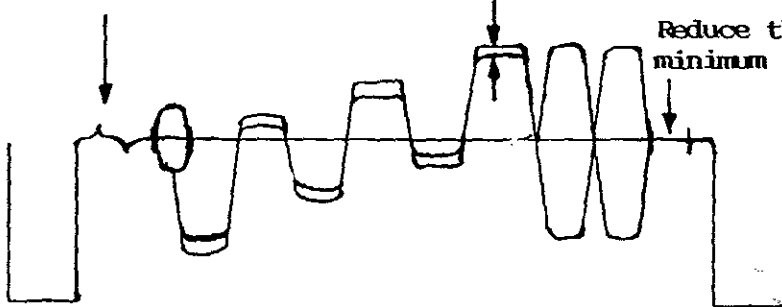
### VIII. COLOR DEMODULATOR ALIGNMENT, DELAY LINE ALIGNMENT

1. Receive Philips Pattern.
2. Set COLOR control to maximum position.
3. Connect Oscilloscope to TP302
4. Adjust CT301 to obtain the waveform as in Fig.
5. Adjust VR306 to obtain the waveform as in Fig.  
Adjust T301 to obtain the waveform as in Fig.

This line make it straight  
exactly (Adjust CT301)

Reduce the difference to  
minimum (Adjust T301)

Reduce the difference to  
minimum (Adjust VR306)



VOLTAGE TABLE FOR TRANSISTOR

| SYMBOL | B (V) | C (V)  | E (V) | SYMBOL | B (V) | C (V) | E (V) |
|--------|-------|--------|-------|--------|-------|-------|-------|
| Q001   | 0.21  | 0.64   | 0     | Q602   | 0.01  | 5.47  | 0     |
| Q002   | 0.64  | 0.54   | 0     | Q603   | 0.77  | 0.01  | 0     |
| Q003   | 0.65  | 0.12   | 0     | Q604   | 6.12  | 14.08 | 5.47  |
| Q004   | 0.1   | 8.9    | 0     | Q605   | 10.57 | 11.24 | 11.36 |
| Q101   | 0.53  | 2.78   | 0     | Q606   | 11.34 | 0     | 11.36 |
| Q102   | 1.09  | 8.1    | 0.34  | Q607   | 11.34 | 0     | 11.36 |
| Q104   | 0     | 3.15   | 0     | Q608   | 3.69  | 0.3   | 5.29  |
| Q105   | 2.54  | 11.6   | 1.89  | Q609   | 0     | 3.67  | 0     |
| Q108   | 5.86  | 11.92  | 5.2   | Q610   | 0.47  | 4.53  | 0     |
| Q201   | 15.34 | 16.16  | 14.89 | Q611   | 0     | 5.42  | 0     |
| Q301   | 0.05  | 1.96   | 0     | Q612   | 0.71  | 0.18  | 0     |
| Q302   | 0.05  | 0.72   | 0     | Q613   | 0.06  | 3.22  | 0     |
| Q303   | 0.72  | 0.03   | 0     | Q701   | 0     | 2.9   | 0     |
| Q304   | 0.03  | 11.93  | 0     | Q702   | 0     | 2.3   | 0     |
| Q401   | -0.1  | 193.38 | 0     | Q907   | 1.26  | 11.51 | 0.62  |
| Q402   | 0.33  | 75.75  | 0     | Q908   | 2.16  | 4.63  | 1.49  |
| Q501   | 3.98  | 97.56  | 3.39  | Q909   | -2.35 | 296.9 | 0.1   |
| Q502   | 3.71  | 90.55  | 3.14  | Q910   | -0.02 | 1.13  | 0     |
| Q503   | 3.76  | 110.26 | 3.18  | Q911   | 5.71  | -0.02 | 1.61  |
| Q504   | 2.13  | 90.19  | 2.05  | Q912   | 9.11  | 13.61 | 8.45  |
| Q601   | 5.47  | 0      | 5.48  |        |       |       |       |

NOTE : VOLTAGE ARE TAKEN UNDER TUNED CONDITION WITH

- CONTRAST : Maximum Position
- BRIGHTNESS : Maximum Position
- COLOR : Maximum Position
- SIGNAL INPUT : Maximum Position
- CHANNEL SETTING : 80 dBuV
- SIGNAL PATTERN : Colour Bar

VOLTAGE TABLE FOR IC

| SYMBOL<br>PIN NO. | IC101 | IC601 | IC602 | IC302 |  |
|-------------------|-------|-------|-------|-------|--|
|                   | (V)   | (V)   | (V)   |       |  |
| 1                 | 2.63  | 5.28  | GND   | GND   |  |
| 2                 | 5.14  | GND   | NC    | 2.4   |  |
| 3                 | GND   | 5.25  | 4.53  | 3.6   |  |
| 4                 | 6.68  | NC    | 5.4   | 5.1   |  |
| 5                 | 4.68  | NC    | NC    | 2.5   |  |
| 6                 | 4.68  | NC    | NC    | 3.2   |  |
| 7                 | 4.68  | NC    | NC    | 7.1   |  |
| 8                 | 4.69  | 4.83  | 5.46  | 9.8   |  |
| 9                 | 0.66  | -30   | 5.4   | 9.8   |  |
| 10                | 3.94  | NC    | 5.4   | 5.2   |  |
| 11                | 2.62  | 0     | 5.4   | 3.1   |  |
| 12                | 3.2   | NC    | 5.4   | 4.45  |  |
| 13                | 11.5  | NC    | 5.4   | 3.1   |  |
| 14                | 2.4   | NC    | 5.2   | 0.01  |  |
| 15                | 5.96  | 5.25  | 0.17  | 5.3   |  |
| 16                | 11.5  | 0.07  | 5.4   | 5.3   |  |
| 17                | 3.15  |       | 5.4   | 3.9   |  |
| 18                | 7.55  |       | 5.2   | 2.5   |  |
| 19                | 7.55  |       | 5.4   | 9.4   |  |
| 20                | 3.15  |       | 0.06  | 9.4   |  |
| 21                | 11.5  |       | 5.31  | 3.9   |  |
| 22                | 2.54  |       | 0.06  | 3.4   |  |
| 23                | 0.04  |       | 0.06  | 3.4   |  |
| 24                | 2.63  |       | 0.06  | 3.87  |  |
| 25                |       |       | 4.48  | 4.1   |  |
| 26                |       |       | 0.08  | 9.4   |  |
| 27                |       |       | 0.27  | 3.4   |  |
| 28                |       |       | 0.27  | 8.2   |  |
| 29                |       |       | NC    | 11    |  |
| 30                |       |       | 2.88  | 7.2   |  |
| 31                |       |       | 3.8   | 0.9   |  |
| 32                |       |       | 3.95  | 4.0   |  |
| 33                |       |       | 8.63  | 1.34  |  |
| 34                |       |       | 2.97  | 5.5   |  |
| 35                |       |       | 2.84  | 4.6   |  |
| 36                |       |       | 1.62  | 1.45  |  |
| 37                |       |       | 11.4  | 0.92  |  |
| 38                |       |       | 11.4  | 4.7   |  |
| 39                |       |       | 0.16  | 4.7   |  |
| 40                |       |       | 2.7   | 4.8   |  |
| 41                |       |       | 2.6   | 2.1   |  |
| 42                |       |       | 5.46  | 8.8   |  |

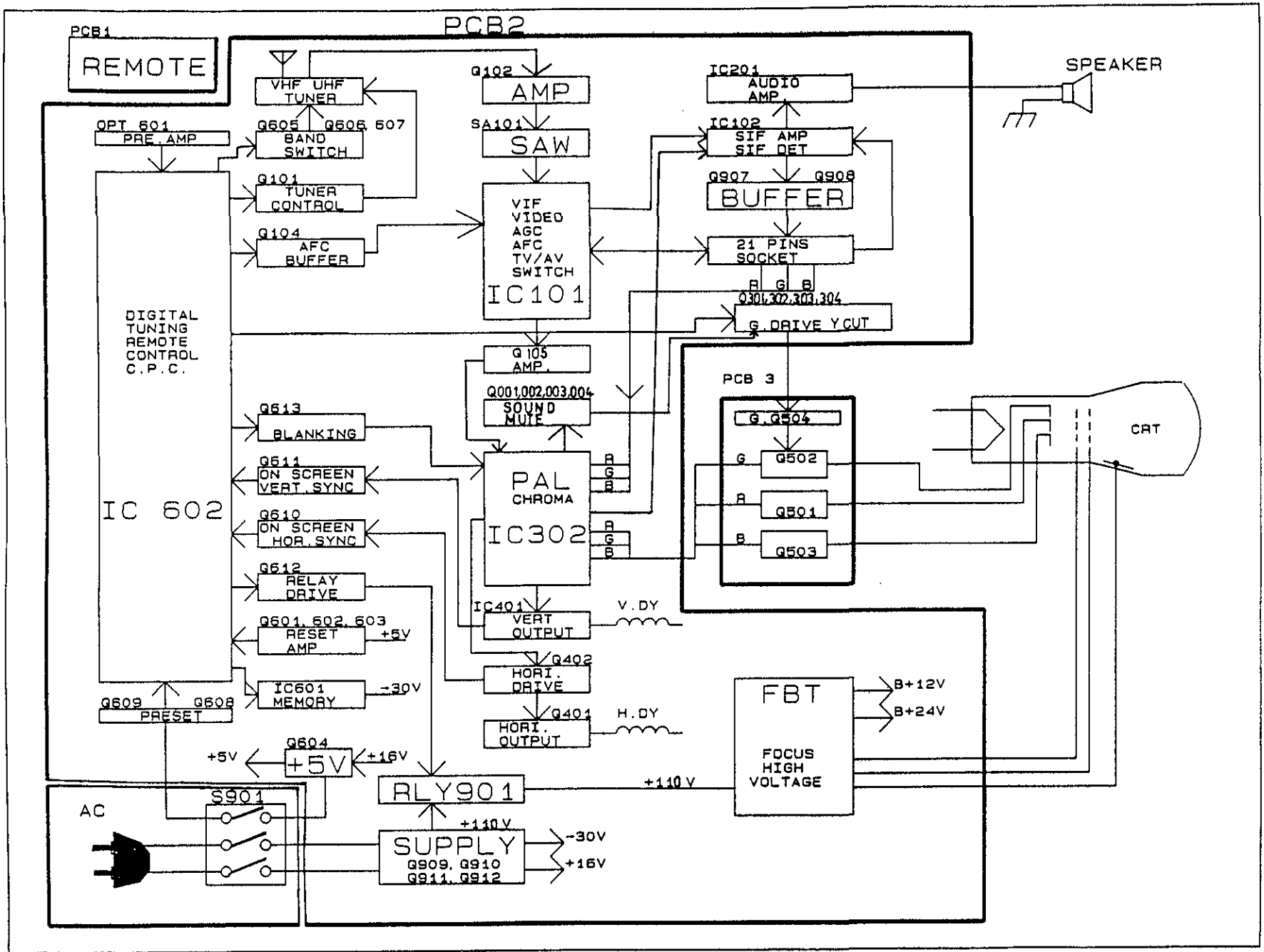
NOTE : VOLTAGE ARE TAKEN UNDER TUNED CONDITION WITH

CONTRAST : Maximum Position  
 BRIGHTNESS : Maximum Position  
 COLOR : Maximum Position  
 SIGNAL INPUT : 80 dB $\mu$ V  
 CHANNEL SETTING : The Last Channel of UHF High  
 SIGNAL PATTERN : Colour Bar

| VOLTAGE TABLE FOR IC |              |              |              |              |  |  |
|----------------------|--------------|--------------|--------------|--------------|--|--|
| SYMBOL<br>PIN NO.    | IC201<br>(V) | IC102<br>(V) | IC401<br>(V) | IC701<br>(V) |  |  |
| 1                    | 7.3          | NC           | GND          | 2.9          |  |  |
| 2                    | 14.8         | NC           | 12.3         | 0            |  |  |
| 3                    | 14.4         | NC           | 25           | 2.9          |  |  |
| 4                    | 0.28         | 5.2          | 0.9          | 2.9          |  |  |
| 5                    | 0.34         | NC           | 0.7          | 2.9          |  |  |
| 6                    | 3.1          | NC           | 25           | 2.9          |  |  |
| 7                    | 3.0          | 1.47         | 1.6          | NC           |  |  |
| 8                    | 3.0          | 6.1          |              | 0            |  |  |
| 9                    | GND          | 4.84         |              | 2.9          |  |  |
| 10                   | GND          | 5.4          |              | 0            |  |  |
| 11                   | GND          | 11.6         |              | 0            |  |  |
| 12                   | GND          | 4.2          |              | 0            |  |  |
| 13                   | GND          | 0.05         |              | 0            |  |  |
| 14                   | GND          | 2.48         |              | 0            |  |  |
| 15                   | GND          | 9            |              | 0            |  |  |
| 16                   | GND          | 2.5          |              | 0            |  |  |
| 17                   |              | 6.1          |              | 0            |  |  |
| 18                   |              | 4.5          |              | GND          |  |  |
| 19                   |              | 4.5          |              |              |  |  |
| 20                   |              | GND          |              |              |  |  |
| 21                   |              |              |              |              |  |  |
| 22                   |              |              |              |              |  |  |
| 23                   |              |              |              |              |  |  |
| 24                   |              |              |              |              |  |  |
| 25                   |              |              |              |              |  |  |
| 26                   |              |              |              |              |  |  |
| 27                   |              |              |              |              |  |  |
| 28                   |              |              |              |              |  |  |
| 29                   |              |              |              |              |  |  |
| 30                   |              |              |              |              |  |  |

NOTE : VOLTAGE ARE TAKEN UNDER TUNED CONDITION WITH

- CONTRAST : Maximum Position
- BRIGHTNESS : Maximum Position
- COLOR : Maximum Position
- SIGNAL INPUT : 80 dBuV
- CHANNEL SETTING : The last Channel of UHF High
- SIGNAL PATTERN : Colour Bar



PROGRAM ID : TVSTDCST  
Print Date : 06/10/95  
Page Number : 1

<< B.O.M. TV STANDARD PRICE LIST FOR CUSTOMER >> - CURRENCY (USD)

PRODUCT CODE : 882074-600003-GT

DESCRIPTION : CT-M485 TEAC PAL/BG W/SCART/2P S.TXT MATT BLK 240V SAA TYPE

| ASSEMBLY NUMBER  | DESCRIPTION                              |
|------------------|--|
| 155-000000-03-00 | COMMON PART FOR HANDSET ASS'Y            |
| 155-000000-03-05 | NON-COM PART FOR HANDSET ASS'Y (S.TXT)   |
| 158-882074-60-00 | COMMON PART FOR CHASSIS ASS'Y (B/G)      |
| 158-882074-60-01 | NON-COMMON PART FOR CHASSIS ASS'Y (B/G)  |
| 159-882074-60-00 | COMMON PART FOR CASING ASS'Y (B/G)       |
| 159-882074-60-04 | NON-COMMON PART FOR CASING ASS'Y (M.BLK) |
| 160-000300-60-06 | NON-COM FOR 2 PAGE S.TXT ASS'Y(W.EUROPE) |
| 163-882074-60-04 | NON-COMMON PART FOR PACKING ASS'Y (B/G)  |

\*\* THIS SPARE LIST IS MADE FOR TECHNICAL / MAINTENANCE REFERENCE ONLY \*\*



| Component Part  | Description / Location  | Unit Subs  | Quantity Required | Unit Price |
|---|---|------------|-------------------|------------|
| *** ASSEMBLY : 155-000000-03-00 COMMON PART FOR HANDSET ASS'Y |   |            |                   |            |
| 107-800455-46   | 455K HZ RESONATOR CS8455EB<br>CF701   | MURATA     |                   |            |
| 113-101005-17   | CARBON FILM RESISTOR 100 OHM<br>R704.706  |            | 1/16W +-5%        |            |
| 113-102005-17   | CARBON FILM RESISTOR 1K OHM<br>R705   |            | 1/16W +-5%        |            |
| 113-103005-17   | CARBON FILM RESISTOR 10K OHM<br>R702  |            | 1/16W +-5%        |            |
| 113-109005-17   | CARBON FILM RESISTOR 1 OHM<br>R709.710  |            | 1/16W +-5%        |            |
| 113-473005-17   | CARBON FILM RESISTOR 47K OHM<br>R703  |            | 1/16W +-5%        |            |
| 113-682005-17   | CARBON FILM RESISTOR 6.8K OHM<br>R701   |            | 1/16W +-5%        |            |
| 127-476042-03   | ELECT. CAP. 47 MFD 16V +-20%<br>C701  |            |                   |            |
| 130-800101-00   | INFRARED EMITTER EL-1L1<br>LED701   | KODENSHI   |                   |            |
| 131-210719-29   | TRANSISTOR ZSA719R/S<br>Q702  | MATSUSHITA |                   |            |
| 131-230945-00   | TRANSISTOR ZSC945 NEC<br>Q701   |            |                   |            |
| 133-803010-33   | I.C. SAA3010T PHILIPS<br>IC701  |            |                   |            |
| 172-626006-42   | UL 1007 TOP COAT WIRE AWG 26 60MM RED 10 X 10 MM<br>P.C.B. (+) TO BATTERY CONTACT PLATE (+)   |            |                   |            |
| 172-626006-40   | UL 1007 TOP COAT WIRE AWG 26 60MM BLACK 10 X 10 MM<br>P.C.B. (-) TO BATTERY CONTACT PLATE (-) |            |                   |            |
| 190-892002-00   | REMOTE P.C.B. (200791)  |            |                   |            |
| 516-260408-10   | SELF-TAPPING SCREW 2.6 X 8 P/T(HARDEN)<br>CAB. MTS.   |            |                   |            |
| 773-036863-00   | BATTERY CONTACT PLATE (A) +-VE  |            |                   |            |
| 773-036864-00   | BATTERY CONTACT PLATE +VE   |            |                   |            |
| 774-036862-00   | BATTERY CONTACT SPRING -VE  |            |                   |            |
| 964-892001-00   | SENSOR LENS   |            |                   |            |

| Component Part   | Description / Location                                    | Unit Subs | Quantity Required | Unit Price |
|--|---|-----------|-------------------|------------|
| *** ASSEMBLY : 155-000000-03-05 NON-COM PART FOR HANDSET ASS'Y (S.TXT) |   |           |                   |            |
| 849-892002-00  | CONTACT RUBBER KEY PAD (34 KEYS)                          |           |                   |            |
| 892-892002-05  | D/KEY PLATE- TEAC(A)DESIGN (WHITE,GR.GOLD SS)MODEL NO.RC- |           |                   |            |
| 900-892010-01  | HANDSET TOP CABINET - BLACK MOULDED                       |           |                   |            |
| 902-892010-01  | HANDSET BOTTOM CABINET - BLACKMOULDED                     |           |                   |            |
| 910-892001-01  | BATTERY DOOR  |           |                   |            |

| Component Part  | Description / Location                        | Unit Subs             | Quantity Required | Unit Price |
|---|---|-----------------------|-------------------|------------|
| *** ASSEMBLY : 158-882074-60-00 COMMON PART FOR CHASSIS ASS'Y (B/G) |   |                       |                   |            |
| 001-220027-07   | FLYBACK TRANSFORMER FCM208027 SAMSUNG<br>T402 |                       |                   |            |
| 012-102340-06   | SEMI-FIXED RESISTOR EVND8AA<br>VR401.901      |                       | 03813 1KB         |            |
| 012-103340-06   | SEMI-FIXED RESISTOR EVND8AA<br>VR103          |                       | 03814 10KB        |            |
| 012-104340-06   | SEMI-FIXED RESISTOR EVND8AA<br>VR101          |                       | 03815 100KB       |            |
| 012-301330-06   | SEMI-FIXED RESISTOR EVND2AA<br>VR503.505      |                       | 03832 300B        |            |
| 012-501340-06   | SEMI-FIXED RESISTOR EVND 8AA<br>VR302         |                       | 03852 500B        |            |
| 012-502330-06   | SEMI-FIXED RESISTOR EVND2AA<br>VR502.504.501  |                       | 03853 5KB         |            |
| 012-502340-06   | SEMI-FIXED RESISTOR EVND8AA<br>VR501          |                       | 03853 5KB         |            |
| 012-503340-06   | SEMI-FIXED RESISTOR EVND8AA<br>VR102.301      |                       | 03854 50KB        |            |
| 013-100001-02   | GLASS DELAY LINE (ADVANCE<br>DLY302           | MOTION/WEI HAW        | YCS-EN645A11      |            |
| 013-200005-00   | Y-DELAY LINE YBL50F18X<br>DLY301              |                       |                   |            |
| 101-190710-96   | HORIZONTAL DRIVE TRANSFORMER<br>T401          | R0710                 |                   |            |
| 101-288820-95   | LINE FILTER 70MH<br>L901                      |                       |                   |            |
| 101-414025-94   | SWITCHING POWER TRANSFORMER<br>T901           | (HL4025B)             |                   |            |
| 102-370600-02   | TANK COIL / AFC COIL COILS<br>T101            | 707851                |                   |            |
| 102-671000-02   | SOUND IF 5.5 TO 6.5 MHZ COIL.<br>T102         | COILS 708997          |                   |            |
| 102-770200-02   | SECAM COLOR PAL DELAY LINE<br>T301            | MATCHING COILS 707850 |                   |            |
| 105-100103-02   | FIXED INDUCTIVE COIL 10UH<br>L102             | +/-10% AXIAL TYPE     |                   |            |
| 105-150101-02   | FIXED INDUCTIVE COIL 15UH 10%<br>L105.104     |                       |                   |            |
| 105-181101-02   | FIXED INDUCTIVE COIL 180UH<br>L501            | 10%                   |                   |            |
| 105-201106-02   | CHOKO COIL 200UH 10% CH9012-<br>L903          | 201K (ELEC PRODUCT)   |                   |            |
| 105-330101-02   | FIXED INDUCTIVE COIL 33UH +/-10%<br>T305      |                       |                   |            |
| 105-650052-13   | LINEARITY COIL 65UH FOR 20" CRT<br>L401       |                       |                   |            |
| 105-689101-02   | FIXED INDUCTIVE COIL 6.8UH 10%<br>L103        |                       |                   |            |

| Component Part | Description / Location   | Unit Subs | Quantity Required | Unit Price |
|----------------|--|-----------|-------------------|------------|
| 105-828103-02  | FIXED INDUCTIVE COIL 0.82UH 10% AXIAL TYPE<br>L101   |           |                   |            |
| 105-829101-02  | FIXED INDUCTIVE COIL 8.2UH 10%<br>L301,302,303,304   |           |                   |            |
| 113-100105-17  | CARBON FILM RESISTOR 10 OHM 1/4W +-5%<br>R601,119,108,163                                  |           |                   |            |
| 113-101105-17  | CARBON FILM RESISTOR 100 OHM 1/4W +-5%<br>R336,337,338,309,319,322,112                     |           |                   |            |
| 113-101105-17  | CARBON FILM RESISTOR 100 OHM 1/4W +-5%<br>R624,625,650,643,644,638                         |           |                   |            |
| 113-102105-17  | CARBON FILM RESISTOR 1K OHM 1/4W +-5%<br>R619,617,607,608,618,620,621,634,637,640,641,633  |           |                   |            |
| 113-102105-17  | CARBON FILM RESISTOR 1K OHM 1/4W +-5%<br>R636,639,642,109,143,153,160,320,321,302,328      |           |                   |            |
| 113-102105-17  | CARBON FILM RESISTOR 1K OHM 1/4W +-5%<br>R921,329,352,331,402,613                          |           |                   |            |
| 113-102305-75  | METAL OXIDE FILM RESISTOR 1K OHM 1W +-5%<br>R414   |           |                   |            |
| 113-103101-67  | METAL FILM RESISTOR 10K OHM 1/4W +-1%<br>R609  |           |                   |            |
| 113-103105-12  | CARBON FILM RESISTOR 10K OHM 1/4W +-5%<br>R908,425   |           |                   |            |
| 113-103105-17  | CARBON FILM RESISTOR 10K OHM 1/4W +-5%<br>R605,612,623,635,649,632,103,110,113,104,111,165 |           |                   |            |
| 113-103105-17  | CARBON FILM RESISTOR 10K OHM 1/4W +-5%<br>R303,304,315,354,209,407                         |           |                   |            |
| 113-103405-75  | METAL OXIDE FILM RESISTOR 10K OHM 2W +-5%<br>R162  |           |                   |            |
| 113-104105-17  | CARBON FILM RESISTOR 100K OHM 1/4W +-5%<br>R161,363  |           |                   |            |
| 113-104205-12  | CARBON FILM RESISTOR 100K OHM 1/2W +-5%<br>R920  |           |                   |            |
| 113-104305-75  | METAL OXIDE FILM RESISTOR 100KOHM 1W +-5%<br>R925  |           |                   |            |
| 113-105105-17  | CARBON FILM RESISTOR 1M OHM 1/4W +-5%<br>R138  |           |                   |            |
| 113-120305-75  | METAL OXIDE FILM RESISTOR 12 OHM 1W +-5%<br>R911   |           |                   |            |
| 113-120405-75  | METAL OXIDE FILM RESISTOR 12 OHM 2W +-5%<br>R924   |           |                   |            |
| 113-122105-17  | CARBON FILM RESISTOR 1.2K OHM 1/4W +-5%<br>R323,602  |           |                   |            |
| 113-123105-17  | CARBON FILM RESISTOR 12K OHM 1/4W +-5%<br>R132,615,928,933                                 |           |                   |            |
| 113-124205-12  | CARBON FILM RESISTOR 120K OHM 1/2W +-5%<br>R421  |           |                   |            |
| 113-152105-17  | CARBON FILM RESISTOR 1.5K OHM 1/4W +-5%<br>R150,152  |           |                   |            |
| 113-153105-17  | CARBON FILM RESISTOR 15K OHM 1/4W +-5%<br>R604,610,616,116,401                             |           |                   |            |

| Component Part | Description / Location  | Unit Subs | Quantity Required | Unit Price |
|----------------|---|-----------|-------------------|------------|
| 113-153405-75  | METAL OXIDE FILM RESISTOR 15K OHM 2W +-5%<br>RS10.511.505                           |           |                   |            |
| 113-154105-17  | CARBON FILM RESISTOR 150K OHM 1/4W +-5%<br>R157                                     |           |                   |            |
| 113-159305-75  | METAL OXIDE FILM RESISTOR 1.5 OHM 1W +-5%<br>R410                                   |           |                   |            |
| 113-159405-42  | NON-FLAMMABLE FUSE RESISTOR 1.5 OHM 2W +-5%<br>R501                                 |           |                   |            |
| 113-181105-17  | CARBON FILM RESISTOR 180 OHM 1/4W +-5%<br>R305.307.310.313.340                      |           |                   |            |
| 113-182105-17  | CARBON FILM RESISTOR 1.8K OHM 1/4W +-5%<br>R907.628.629.630.631.148.335.334         |           |                   |            |
| 113-183105-17  | CARBON FILM RESISTOR 18K OHM 1/4W +-5%<br>R317.408                                  |           |                   |            |
| 113-184105-17  | CARBON FILM RESISTOR 180K OHM 1/4W +-5%<br>R151.156                                 |           |                   |            |
| 113-202605-75  | METAL OXIDE FILM RESISTOR 2K OHM 5W +-5%<br>R416                                    |           |                   |            |
| 113-220105-17  | CARBON FILM RESISTOR 22 OHM 1/4W +-5%<br>R325                                       |           |                   |            |
| 113-221105-17  | CARBON FILM RESISTOR 220 OHM 1/4W +-5%<br>R627.106                                  |           |                   |            |
| 113-221305-75  | METAL OXIDE FILM RESISTOR 220 OHM 1W +-5%<br>R413                                   |           |                   |            |
| 113-222101-67  | METAL FILM RESISTOR 2.2K OHM 1/4W +-1%<br>R146                                      |           |                   |            |
| 113-222105-17  | CARBON FILM RESISTOR 2.2K OHM 1/4W +-5%<br>R507.509.513.201.141.652.308.308.311.332 |           |                   |            |
| 113-223101-67  | METAL FILM RESISTOR 22K OHM 1/4W +-1%<br>R606                                       |           |                   |            |
| 113-223105-17  | CARBON FILM RESISTOR 22K OHM 1/4W +-5%<br>R646.129.312.314.417                      |           |                   |            |
| 113-224105-17  | CARBON FILM RESISTOR 220K OHM 1/4W +-5%<br>R333.207.653                             |           |                   |            |
| 113-229105-17  | CARBON FILM RESISTOR 2.2 OHM 1/4W +-5%<br>R125.342.208                              |           |                   |            |
| 113-229205-12  | CARBON FILM RESISTOR 2.2 OHM 1/2W +-5%<br>R139.351                                  |           |                   |            |
| 113-229305-72  | METAL OXIDE FILM RESISTOR 2.2 OHM 1W +-5%<br>R202                                   |           |                   |            |
| 113-229405-75  | METAL OXIDE FILM RESISTOR 2.2 OHM 2W +-5%<br>R902                                   |           |                   |            |
| 113-229605-51  | WIRE WOUND CEMENT RESISTOR 2.2 OHM 5W +-5%<br>R901                                  |           |                   |            |
| 113-270105-17  | CARBON FILM RESISTOR 27 OHM 1/4W +-5%<br>R115                                       |           |                   |            |
| 113-270405-75  | METAL OXIDE FILM RESISTOR 27 OHM 2W +-5%<br>R912                                    |           |                   |            |
| 113-271105-17  | CARBON FILM RESISTOR 270 OHM 1/4W +-5%<br>R147                                      |           |                   |            |

| Component Part | Description / Location   | Unit Subs | Quantity Required | Unit Price |
|----------------|--|-----------|-------------------|------------|
| 113-272105-17  | CARBON FILM RESISTOR 2.7K OHM 1/4W +-5%<br>R142.134                    |           |                   |            |
| 113-272205-12  | CARBON FILM RESISTOR 2.7K OHM 1/2W +-5%<br>R502.503.504                |           |                   |            |
| 113-272205-17  | CARBON FILM RESISTOR 2.7K OHM 1/2W +-5%<br>R922.409.415                |           |                   |            |
| 113-273105-17  | CARBON FILM RESISTOR 27K OHM 1/4W +-5%<br>R155.603                     |           |                   |            |
| 113-331105-17  | CARBON FILM RESISTOR 330 OHM 1/4W +-5%<br>R905.411.343.344.362         |           |                   |            |
| 113-332102-17  | CARBON FILM RESISTOR 3.3K OHM 1/4W +-2%<br>R904                        |           |                   |            |
| 113-332105-17  | CARBON FILM RESISTOR 3.3K OHM 1/4W +-5%<br>R204.611.645.647            |           |                   |            |
| 113-333105-17  | CARBON FILM RESISTOR 33K OHM 1/4W +-5%<br>R118.127.128.114.117.144.406 |           |                   |            |
| 113-334105-17  | CARBON FILM RESISTOR 330K OHM 1/4W +-5%<br>R159                        |           |                   |            |
| 113-334305-75  | METAL OXIDE FILM RESISTOR 330KOHM 1W +-5%<br>R913                      |           |                   |            |
| 113-335105-17  | CARBON FILM RESISTOR 3.3M OHM 1/4W +-5%<br>R365                        |           |                   |            |
| 113-338405-75  | METAL OXIDE FILM RESISTOR 0.330HM 2W +-5%<br>R914                      |           |                   |            |
| 113-390505-75  | METAL OXIDE FILM RESISTOR 39 OHM 3W +-5%<br>R926                       |           |                   |            |
| 113-390605-75  | METAL OXIDE FILM RESISTOR 39 OHM 5W +-5%<br>R915                       |           |                   |            |
| 113-391105-17  | CARBON FILM RESISTOR 390 OHM 1/4W +-5%<br>R506.508.347                 |           |                   |            |
| 113-392105-17  | CARBON FILM RESISTOR 3.9K OHM 1/4W +-5%<br>R404                        |           |                   |            |
| 113-393105-17  | CARBON FILM RESISTOR 39K OHM 1/4W +-5%<br>R316                         |           |                   |            |
| 113-471105-17  | CARBON FILM RESISTOR 470 OHM 1/4W +-5%<br>R140.412                     |           |                   |            |
| 113-472105-17  | CARBON FILM RESISTOR 4.7K OHM 1/4W +-5%<br>R910.149.927.324            |           |                   |            |
| 113-473105-17  | CARBON FILM RESISTOR 47K OHM 1/4W +-5%<br>R622.648.651.301.341         |           |                   |            |
| 113-479105-17  | CARBON FILM RESISTOR 4.7 OHM 1/4W +-5%<br>R327                         |           |                   |            |
| 113-511105-17  | CARBON FILM RESISTOR 510 OHM 1/4W +-5%<br>R512                         |           |                   |            |
| 113-562105-17  | CARBON FILM RESISTOR 5.6K OHM 1/4W +-5%<br>R105.318.203.206            |           |                   |            |
| 113-565205-92  | CARBON COMPOSITION RESISTOR 5.6M 1/2W +-5%<br>R916.917                 |           |                   |            |
| 113-629405-75  | METAL OXIDE FILM RESISTOR 6.2 OHM 2W +-5%<br>R422                      |           |                   |            |

| Component Part | Description / Location   | Unit Subs | Quantity Required | Unit Price |
|----------------|--|-----------|-------------------|------------|
| 113-682102-17  | CARBON FILM RESISTOR 6.5K OHM 1/4W +-2%<br>R903                    |           |                   |            |
| 113-682105-17  | CARBON FILM RESISTOR 6.5K OHM 1/4W +-5%<br>R909.359.419            |           |                   |            |
| 113-683105-17  | CARBON FILM RESISTOR 68K OHM 1/4W +-5%<br>R405                     |           |                   |            |
| 113-688205-42  | FUSING RESISTOR 0.68 OHM 1/2W +-5%<br>R919                         |           |                   |            |
| 113-688305-42  | FUSING RESISTOR 0.68 OHM 1W +-5%<br>R918.423.424                   |           |                   |            |
| 113-750105-17  | CARBON FILM RESISTOR 75 OHM 1/4W +-5%<br>R929.930.931.932          |           |                   |            |
| 113-820105-17  | CARBON FILM RESISTOR 82 OHM 1/4W +-5%<br>R418.101.326.330          |           |                   |            |
| 113-821105-17  | CARBON FILM RESISTOR 820 OHM 1/4W +-5%<br>R360                     |           |                   |            |
| 113-822105-17  | CARBON FILM RESISTOR 8.2K OHM 1/4W +-5%<br>R906.923.420.626        |           |                   |            |
| 113-823105-17  | CARBON FILM RESISTOR 82K OHM 1/4W +-5%<br>R145                     |           |                   |            |
| 113-824105-17  | CARBON FILM RESISTOR 820K OHM 1/4W +-5%<br>R158                    |           |                   |            |
| 114-210200-01  | THERMISTOR (NICHICON ZP853 BL 200C)<br>TH901                       |           |                   |            |
| 123-100340-60  | CERAMIC CAP. 10PF +-5% 50V (SL TYPE)<br>C349                       |           |                   |            |
| 123-101350-60  | CERAMIC CAP. 100 PF 50V +-10% (SL TYPE)<br>C612                    |           |                   |            |
| 123-102350-90  | CERAMIC CAP. 0.001 MFD 50V +-10% (B TYPE)<br>C138.614.918.920.921  |           |                   |            |
| 123-102850-10  | CERAMIC CAP. 0.001 MFD 2KV +-10% MATSUSHITA<br>C501                |           |                   |            |
| 123-103370-90  | CERAMIC CAP. 0.01 MFD 50V +80 -20%<br>C102.117.110.126.311.333.334 |           |                   |            |
| 123-104270-90  | CERAMIC CAP. 0.1 MFD 25V +80 -20%<br>C623.123.139.306.309.307      |           |                   |            |
| 123-121350-60  | CERAMIC CAP. 120 PF 50V +-10% (SL TYPE)<br>C301.302.303            |           |                   |            |
| 123-122551-90  | CERAMIC CAP. 0.0012 MFD 500V +-10% (B TYPE) MATSUSHITA<br>C415     |           |                   |            |
| 123-150340-93  | CERAMIC CAP. 15 PF 50V +-5% (NPO)<br>CT301                         |           |                   |            |
| 123-220340-60  | CERAMIC CAP. 22 PF 50V +-5% (SL TYPE)<br>C616.617.618.620          |           |                   |            |
| 123-221350-60  | CERAMIC CAP. 220 PF 50V +-10% (SL TYPE)<br>C347.503.504.502        |           |                   |            |
| 123-221551-90  | CERAMIC CAP. 220 PF 500V +-10% MATSUSHITA<br>C916                  |           |                   |            |
| 123-222850-10  | CERAMIC CAP. 0.0022 MFD 2KV +-10% MATSUSHITA<br>C419.911           |           |                   |            |

| Component Part | Description / Location   | Unit Subs | Quantity Required | Unit Price |
|----------------|--|-----------|-------------------|------------|
| 123-223370-90  | CERAMIC CAP. 0.022 MFD 50V +80-20%<br>C109,131,124,122,127,128,129,133,331,332,343,335 |           |                   |            |
| 123-223370-90  | CERAMIC CAP. 0.022 MFD 50V +80-20%<br>C344   |           |                   |            |
| 123-331350-60  | CERAMIC CAP. 330 PF 50V +-10% (SL TYPE)<br>C137  |           |                   |            |
| 123-350340-93  | CERAMIC CAP. 35PF 50V +-5% (NPO)<br>C630   |           |                   |            |
| 123-470340-60  | CERAMIC CAP. 47 PF 50V +-5% (SL TYPE)<br>C118,121,613                                  |           |                   |            |
| 123-472551-90  | CERAMIC CAP. 0.0047 MFD 500V +-10% (B TYPE) MATSUSHITA<br>C913,413,423                 |           |                   |            |
| 123-472552-90  | CERAMIC CAP. 0.0047 MFD 500V +-10% (B TYPE) SMALL SIZE<br>C904,903,907                 |           |                   |            |
| 123-509340-93  | CERAMIC CAP. 5 PF 50V +-5% (NPO)<br>C356   |           |                   |            |
| 123-681350-60  | CERAMIC CAP. 680 PF 50V +-10% (SL TYPE)<br>C407  |           |                   |            |
| 123-821850-10  | CERAMIC CAP. 820 PF 2KV +-10% (SL TYPE) MATSUSHITA<br>C914                             |           |                   |            |
| 126-102071-01  | MYLAR CAP. 0.001 MFD 50V +-10%<br>C130,402,426   |           |                   |            |
| 126-103071-01  | MYLAR CAP. 0.01 MFD 50V +-10%<br>C204,361  |           |                   |            |
| 126-104071-01  | MYLAR CAP. 0.1 MFD 50V +-10%<br>C602,908,304,305,308,310,324,325,326,205,133           |           |                   |            |
| 126-104071-01  | MYLAR CAP. 0.1 MFD 50V +-10%<br>C207,409   |           |                   |            |
| 126-104101-31  | POLYPROPYLENE CAP. 0.1 MFD 100V +-10%<br>C425  |           |                   |            |
| 126-222071-01  | MYLAR CAP. 0.0022 MFD 50V +-10%<br>C610,624,203  |           |                   |            |
| 126-222161-41  | METALIZED POLYPROPYLENE CAP. 0.0022 MFD 1600V +-10%<br>C420                            |           |                   |            |
| 126-223071-01  | MYLAR CAP. 0.022 MFD 50V +-10%<br>C321,322,323   |           |                   |            |
| 126-224071-01  | MYLAR CAP 0.22 MFD 50V +-10%<br>C140,348,115,603                                       |           |                   |            |
| 126-272070-31  | POLYPROPYLENE CAP. 0.0027 MFD 50V +-5%<br>C141   |           |                   |            |
| 126-332161-41  | METALIZED POLYPROPYLENE CAP. 0.0033 MFD 1600V +-10%<br>C418                            |           |                   |            |
| 126-333071-01  | MYLAR CAP. 0.033 MFD 50V +-10%<br>C906   |           |                   |            |
| 126-334071-01  | MYLAR CAP. 0.33 MFD 50V +-10%<br>C143,145  |           |                   |            |
| 126-472071-01  | MYLAR CAP. 0.0047 MFD 50V +-10%<br>C403,405  |           |                   |            |
| 126-473071-01  | MYLAR CAP. 0.047 MFD 50V +-10%<br>C134,346   |           |                   |            |



| Component Part | Description / Location  | Unit Subs | Quantity Required        | Unit Price |
|----------------|---|-----------|--------------------------|------------|
| 126-473211-41  | METALLIZED POLYPROPYLENE CAP<br>C902                                |           | 0.047 MFD 250V +-10% VDE |            |
| 126-474201-31  | POLYPROPYLENE CAP<br>C414   |           | 0.47 MFD 200V +-10%      |            |
| 126-474211-41  | METALLIZED POLYPROPYLENE CAP<br>C901                                |           | 0.47 MFD 250V +-10% VDE  |            |
| 127-105072-03  | ELECT. CAP. 1 MFD 50V +-20%<br>C107.142.359.314.315.317.353.354.208 |           |                          |            |
| 127-105132-03  | ELECT. CAP. 1 MFD 160V +-20%<br>C418                                |           |                          |            |
| 127-106041-08  | ELECT. CAP. 10 MFD 16V +-10% (TIME CONSTANT)<br>C404.427            |           |                          |            |
| 127-106042-03  | ELECT. CAP. 10 MFD 16V +-20%<br>C627.621.601.615.619.626.622        |           |                          |            |
| 127-106042-03  | ELECT. CAP. 10 MFD 16V +-20%<br>C919.312.328.329.362.318.318.319    |           |                          |            |
| 127-106102-03  | ELECT. CAP. 10MFD 100V +-20% NICHICON<br>C910                       |           |                          |            |
| 127-106252-03  | ELECT. CAP. 10 MFD 250V +-20%<br>C424                               |           |                          |            |
| 127-107042-03  | ELECT. CAP. 100 MFD 16V +-20%<br>C125.119.313.625                   |           |                          |            |
| 127-107062-03  | ELECT. CAP. 100 MFD 35V +-20%<br>C201.408                           |           |                          |            |
| 127-107132-03  | ELECT. CAP. 100 MFD 160V +-20%<br>C417.915                          |           |                          |            |
| 127-107402-03  | ELECT. CAP. 100 MFD 400V +-20%<br>C905                              |           |                          |            |
| 127-106052-03  | ELECT. CAP. 1000 MFD 25V +-20%<br>C205                              |           |                          |            |
| 127-225072-03  | ELECT. CAP 2.2 MFD 50V +-20%<br>C113.108.116                        |           |                          |            |
| 127-226042-03  | ELECT. CAP. 22 MFD 16V +-20%<br>C609.202                            |           |                          |            |
| 127-227042-03  | ELECT. CAP. 220 MFD 16V +-20%<br>C320                               |           |                          |            |
| 127-227062-03  | ELECT. CAP. 220 MFD 35V +-20%<br>C917.410.411                       |           |                          |            |
| 127-228052-03  | ELECT. CAP. 2200 MFD 25V +-20%<br>C406.422                          |           |                          |            |
| 127-336042-03  | ELECT. CAP. 33 MFD 16V +-20%<br>C144.923                            |           |                          |            |
| 127-336052-03  | ELECT. CAP. 3300 MFD 25V +-20%<br>C421                              |           |                          |            |
| 127-474072-03  | ELECT. CAP. 0.47 MFD 50V +-20%<br>C210.211.327                      |           |                          |            |
| 127-475052-03  | ELECT. CAP. 4.7 MFD 25V +-20%<br>C607.608.604.136                   |           |                          |            |
| 127-476042-03  | ELECT. CAP. 47 MFD 16V +-20%<br>C401                                |           |                          |            |

| Component Part | Description / Location   | Unit | Subs | Quantity Required | Unit Price |
|----------------|--|------|------|-------------------|------------|
| 127-476072-07  | ELECT. CAP. 47 MFD 50V +-20% NICHICON<br>C909                              | PC   | 0    | 1.00000           | 0.0000     |
| 127-477042-03  | ELECT. CAP. 470 MFD 16V +-20%<br>C146,922,363,209,120                      |      |      |                   |            |
| 130-134148-01  | SILICON DIODE IN4148<br>D406,304,301,302,303,305                           |      |      |                   |            |
| 130-134148-01  | SILICON DIODE IN4148<br>D502,601,605,606,607,608,609,610,603               |      |      |                   |            |
| 130-310156-00  | BRIDGE RECTIFIER RB156 SANKEN<br>BR901                                     |      |      |                   |            |
| 130-311541-60  | RECTIFIER DIODE IRSJ041<br>D904  |      |      |                   |            |
| 130-311545-60  | RECTIFIER DIODE IRSJH45<br>D404  |      |      |                   |            |
| 130-314406-00  | RECTIFIER DIODE ER844-06 FUJI<br>D905                                      |      |      |                   |            |
| 130-315295-00  | RECTIFIER DIODE S5295G TOSHIBA<br>D902,903,901,401,402,403,405             |      |      |                   |            |
| 130-410082-01  | ZENER DIODE 8.2V<br>ZD901  |      |      |                   |            |
| 130-410100-01  | ZENER DIODE 10V 1/2W<br>ZD401  |      |      |                   |            |
| 130-410574-00  | ZENER DIODE UPC 574J NEC OR KASJY SAMSUNG<br>ZD101                         |      |      |                   |            |
| 130-411091-01  | ZENER DIODE 9.1V<br>ZD902  |      |      |                   |            |
| 130-422120-00  | ZENER DIODE 1W 12V<br>ZD402  |      |      |                   |            |
| 130-512044-00  | LED 3MM RED 204HDC<br>LED601   |      |      |                   |            |
| 131-211013-18  | TRANSISTOR 2SA1013 (R) TOSHIBA<br>Q906                                     |      |      |                   |            |
| 131-211015-00  | TRANSISTOR 2SA1015 TOSHIBA<br>Q101,102,108                                 |      |      |                   |            |
| 131-220774-20  | TRANSISTOR 2SB774/Q/R/S MATSUSHITA<br>Q902                                 |      |      |                   |            |
| 131-230388-00  | TRANSISTOR ZSC388A TOSHIBA<br>Q105   |      |      |                   |            |
| 131-231815-25  | TRANSISTOR ZSC1815 TOSHIBA<br>Q103,104,107,111,110,901,903,301,602,305,302 |      |      |                   |            |
| 131-231815-25  | TRANSISTOR ZSC1815 TOSHIBA<br>Q603,604,605                                 |      |      |                   |            |
| 131-232230-00  | TRANSISTOR ZSC2230A-Y TOSHIBA<br>Q905                                      |      |      |                   |            |
| 131-232335-30  | TRANSISTOR ZSC2335 L/K NEC<br>Q907   |      |      |                   |            |
| 131-232482-00  | TRANSISTOR ZSC2482 TOSHIBA<br>Q401,501,502,503                             |      |      |                   |            |
| 131-240400-00  | TRANSISTOR 2SD400E/F SANYO<br>Q201   |      |      |                   |            |

| Component Part | Description / Location                                       | Unit                          | Subs | Quantity Required | Unit Price |        |
|----------------|--|-------------------------------|------|-------------------|------------|--------|
| 131-241431-00  | TRANSISTOR 2S01431 TOSHIBA<br>G904                           | WITH HIDA SHEET (24PH X 33PH) | PC   | 0                 | 1.00000    | 1.1476 |
| 131-241555-00  | TRANSISTOR 2S01555 TOSHIBA<br>G402                           |                               |      |                   |            |        |
| 131-462369-00  | TRANSISTOR PH2369 PHILIPS<br>G601                            |                               |      |                   |            |        |
| 133-103504-33  | I.C. TDA3504 PHILIPS<br>IC304                                |                               |      |                   |            |        |
| 133-104505-33  | I.C. TDA4505E PHILIPS<br>IC102                               |                               |      |                   |            |        |
| 133-104510-33  | PHILIPS IC TDA4510<br>IC305                                  |                               |      |                   |            |        |
| 133-184640-33  | PHILIPS IC PCA 840640P<br>IC601                              |                               |      |                   |            |        |
| 133-201013-33  | I.C. TDA1013B PHILIPS<br>IC201                               |                               |      |                   |            |        |
| 133-203653-33  | I.C. TDA3653B PHILIPS<br>IC401                               |                               |      |                   |            |        |
| 133-207805-31  | I.C. L7805CV SGS<br>IC901                                    |                               |      |                   |            |        |
| 133-207812-31  | IC L7812CV SGS-THOMSON<br>IC103                              |                               |      |                   |            |        |
| 133-301014-31  | I.C. TEA1014 SGS<br>IC303                                    |                               |      |                   |            |        |
| 133-304241-33  | I.C. PC74HCT241P PHILIPS<br>IC301                            |                               |      |                   |            |        |
| 133-305114-31  | I.C. TEA5114A SGS<br>IC302                                   |                               |      |                   |            |        |
| 136-500337-00  | REMOTE RECEIVER (KODENSHI<br>OPT601                          | HC-337M)                      |      |                   |            |        |
| 137-100000-31  | CRYSTAL 10 MHZ HOORAY<br>X601                                |                               |      |                   |            |        |
| 137-886723-20  | CRYSTAL 8.86 MHZ KDS<br>X301                                 |                               |      |                   |            |        |
| 144-041420-85  | POWER SW. 70060-115 TECHNKEY (TV3)<br>S612                   |                               |      |                   |            |        |
| 146-100002-13  | TACT SWITCH KSM0634A HDK<br>S602,603,604,605,601,606,608,609 |                               |      |                   |            |        |
| 146-104016-13  | TACT SWITCH 31TM116A UNITRONIC<br>S610,613,611,614           |                               |      |                   |            |        |
| 160-101001-08  | PIN CONNECTOR 1 PIN PLUG<br>FOR CN501,901,902                | STRAIGHT                      |      |                   |            |        |
| 160-102255-27  | PIN CONNECTOR 2 PINS PLUG<br>CN601,201,202                   | STRAIGHT (UL)                 |      |                   |            |        |
| 160-102605-08  | PIN CONNECTOR 2 PIN PLUG<br>CN903                            | STRAIGHT                      |      |                   |            |        |
| 160-103805-08  | PIN CONNECTOR 3 PIN PLUG<br>CN402                            | STRAIGHT                      |      |                   |            |        |
| 160-104805-08  | PIN CONNECTOR 4 PIN PLUG<br>CN401                            | STRAIGHT                      |      |                   |            |        |

| Component Part | Description / Location  | Unit                    | Subs | Quantity Required | Unit Price |
|----------------|---|-------------------------|------|-------------------|------------|
| 160-105255-27  | PIN CONNECTOR 5 PINS WAFER<br>CN203   | 2.5 PITCH               |      |                   |            |
| 161-540004-01  | CRT SOCKET ISH-01 IN CHANG  |                         |      |                   |            |
| 161-683702-22  | 21 PIN SOCKET<br>J901   |                         |      |                   |            |
| 172-820005-40  | UL 1007 TOP COAT WIRE AWG 20<br>FOR C134 GND TO C140 GND                                    | 50MM BLACK 5 X 5MM      |      |                   |            |
| 172-820005-40  | UL 1007 TOP COAT WIRE AWG 20<br>FOR IC201 '1' TO '9' PIN                                    | 50MM BLACK 5 X 5MM      |      |                   |            |
| 172-820010-40  | UL 1007 TOP COAT WIRE AWG 20<br>MAIN P.C.B. 'C' TO 'C'                                      | 100MM BLACK 10 X 10 MM  |      |                   |            |
| 172-820014-40  | UL 1007 TOP COAT WIRE AWG 20<br>MAIN P.C.B. 'E' TO 'E'                                      | 140MM BLACK 10 X 10 MM  |      |                   |            |
| 172-826008-40  | UL 1007 TOP COAT WIRE AWG 26<br>G904 LUG TO MAIN PCB 'L'. IC401 LUG TO MAIN PCB 'H'         | 80MM BLACK 10 X 10 MM   |      |                   |            |
| 172-826008-40  | UL 1007 TOP COAT WIRE AWG 26<br>G402 LUG TO MAIN PCB 'K'                                    | 80MM BLACK 10 X 10 MM   |      |                   |            |
| 172-826012-44  | UL 1007 TOP COAT WIRE AWG 26<br>MAIN PCB 'F' TO 'F'. 'G' TO 'G'. 'D' TO 'D'                 | 120MM YELLOW 10 X 10 MM |      |                   |            |
| 172-826014-42  | UL 1007 TOP COAT WIRE AWG 26<br>MAIN P.C.B. 'A' TO 'A'                                      | 140MM RED 10 X 10 MM    |      |                   |            |
| 172-826020-42  | UL 1007 TOP COAT WIRE AWG 26<br>MAIN P.C.B. 'B' TO 'B'                                      | 200MM RED 10 X 10 MM    |      |                   |            |
| 172-726000-99  | BARE WIRE 54MM<br>W001-012,014-050,052-062,064-063,066-067,069,200                          |                         |      |                   |            |
| 172-830120-99  | FLAT BRIDED WIRE<br>CRT GROUND  |                         |      |                   |            |
| 173-822014-30  | SINGLE SHIELD WIRE AWG 26<br>'H' TO 'H'   | 140MM BLACK             |      |                   |            |
| 179-001010-00  | OIL SLEEVING 1 MM DIA.<br>L=40MM, 20MM FOR D904, 20MM FOR BR901                             |                         |      |                   |            |
| 179-105000-00  | UL PVC TUBE 5MM DIA<br>L=60MM FOR AC LINE CORD  |                         |      |                   |            |
| 179-403030-00  | 3MM DIA. SHRINKABLE TUBE<br>FOR 130MM SOLDERING LUG   |                         |      |                   |            |
| 179-403080-00  | SHRINKABLE TUBE<br>180MM FOR 4-DEGAUSSING COIL LUG (P/R: 750-892002-00)                     |                         |      |                   |            |
| 182-233150-03  | FUSE T3.15A 250V<br>F901  |                         |      |                   |            |
| 190-882004-00  | P.C. BOARD CRT (150395)   |                         |      |                   |            |
| 190-882007-01  | MAIN P.C. BOARD (141292)  |                         |      |                   |            |
| 191-100034-09  | 1 PIN SOCKET ASSM'Y L=220MM<br>CRT GND TO CN501   |                         |      |                   |            |
| 191-100035-09  | 1 PIN SOCKET ASSM'Y L=400MM (DOUBLE INSULATION) BROWN<br>FROM POWER SWITCH PCB 'A' TO CN901 |                         |      |                   |            |
| 191-100036-09  | 1 PIN SOCKET ASSM'Y L=400MM (DOUBLE INSULATION) BLUE<br>FROM POWER SWITCH PCB 'B' TO CN902  |                         |      |                   |            |
| 191-200031-09  | 2 PIN SOCKET ASS'Y L=50MM<br>FOR CN601 TO POWER SWITCH PCB                                  |                         |      |                   |            |

| Component Part | Description / Location  | Unit Subs | Quantity Required | Unit Price |   |
|----------------|---|-----------|-------------------|------------|---|
| 191-300040-09  | 3 PIN SOCKET ASSM'Y<br>CN402 '1' TO CRT PCB 'J'                                 | PC 0      | 1.00000           | 0.1275     | 0 |
| 191-300040-09  | 3 PIN SOCKET ASSM'Y<br>CN402 '2' TO CRT PCB 'I'                                 |           |                   |            |   |
| 191-300040-09  | 3 PIN SOCKET ASSM'Y<br>CN402 '3' TO CRT PCB 'H'                                 |           |                   |            |   |
| 191-500048-09  | 5 PIN SOCKET ASSM'Y L=480MM<br>CN203 '1' TO CRT PCB 'A'                         |           |                   |            |   |
| 191-500048-09  | 5 PIN SOCKET ASSM'Y L=480MM<br>CN203 '2' TO CRT PCB 'B'                         |           |                   |            |   |
| 191-500048-09  | 5 PIN SOCKET ASSM'Y L=480MM<br>CN203 '3' TO CRT PCB 'C'                         |           |                   |            |   |
| 191-500048-09  | 5 PIN SOCKET ASSM'Y L=480MM<br>CN203 '4' TO CRT PCB 'D'                         |           |                   |            |   |
| 191-500048-09  | 5 PIN SOCKET ASSM'Y L=480MM<br>CN203 '5' TO CRT PCB 'E'                         |           |                   |            |   |
| 504-305006-10  | MACHINE SCREW 3 X 6 8/M<br>1 FOR IC901  |           |                   |            |   |
| 504-305008-10  | MACHINE SCREW 3 X 8 8/M<br>FOR POWER SW. MTG.                                   |           |                   |            |   |
| 517-303312-10  | SELF-TAPPING SCREW 3 X 12 W/A W/H=7MM.(HARDEN)<br>FOR HEAT SINK (A) , (B) & (C) |           |                   |            |   |
| 540-020040-01  | BRASS EYELET 2X4MM<br>FOR POWER SWITCH PCB                                      |           |                   |            |   |
| 580-101261-01  | CABLE TIE L=100MM<br>FOR CRT BOARD . CONNECTOR                                  |           |                   |            |   |
| 630-083216-00  | FIBRE WASHER<br>FOR POWER SW. MTG. (BETWEEN POWER SW.& MTG.BKT.)                |           |                   |            |   |
| 746-063101-00  | TEST PIN:TOTAL LENGTH 18.6MM THK:0.8MM<br>TP104.103                             |           |                   |            |   |
| 750-063101-00  | SOLDERING LUG LEG:8X4MM<br>FOR IC401,Q402,Q904                                  |           |                   |            |   |
| 750-063102-01  | 35MM SOLDERING LUG OD:7 ID:3.2 LEG:4X35MM<br>FOR AC LINE CORD. SPK. CONNECTOR   |           |                   |            |   |
| 750-892002-00  | DEGAUSSING COIL LUG<br>FOR DEGAUSSING COIL                                      |           |                   |            |   |
| 766-886801-00  | FUSE HOLDER   |           |                   |            |   |
| 779-882001-01  | IRON HEAT SINK (D)<br>FOR IC901   |           |                   |            |   |
| 781-882001-02  | ALUMINIUM HEAT SINK (B)<br>FOR Q402   |           |                   |            |   |
| 781-882101-01  | ALUMINIUM HEAT SINK (A)<br>FOR Q904   |           |                   |            |   |
| 781-892001-00  | ALUMINIUM HEAT SINK (C)<br>FOR IC401  |           |                   |            |   |
| 783-881306-01  | SHIELD CAN COVER  |           |                   |            |   |
| 783-881313-01  | SHIELD CAN  |           |                   |            |   |
| 929-881301-00  | LED HOLDER BKT<br>FOR LED 601   |           |                   |            |   |

| Component Part  | Description / Location                         | Unit Subs                    | Quantity Required | Unit Price |
|---|--|------------------------------|-------------------|------------|
| *** ASSEMBLY : 158-882074-60-01 NON-COMMON PART FOR CHASSIS ASS'Y (B/G) |  |                              |                   |            |
| 003-131424-02   | TUNER OSCAR UVE33-W24/R16-3649HITSUMI<br>TUNER |                              |                   |            |
| 107-105500-66   | SOUND TRAP CERAMIC FILTER<br>CF105             | 5.5MHZ TFS-5.5MB MURATA      |                   |            |
| 107-305500-16   | SOUND BYPASS CERAMIC FILTER<br>CF103           | 5.5MHZ SFE-5.5MB MURATA      |                   |            |
| 107-738916-00   | SAW FILTER TSP-5316 SANYO<br>SA101             |                              |                   |            |
| 113-123105-17   | CARBON FILM RESISTOR 12K OHM<br>R339           | 1/4W +-5%                    |                   |            |
| 113-223105-17   | CARBON FILM RESISTOR 22K OHM<br>R814           | 1/4W +-5%                    |                   |            |
| 123-102350-90   | CERAMIC CAP. 0.001 MFD 50V<br>C103             | +-10% (B TYPE)               |                   |            |
| 123-222466-41   | CERAMIC CAP. 0.0022 MFD 400V<br>C912           | +-20% ECK-DNS222MEX MATSUSHI |                   |            |
| 171-550084-02   | 84" AC LINE CORD (END-CUT)SAA APPW/7.5A PLUG.  |                              |                   |            |
| 172-726000-99   | BARE WIRE 54MM<br>W094                         |                              |                   |            |

| Component Part   | Description / Location                                   | Unit Subs | Quantity Required | Unit Price |
|--|--|-----------|-------------------|------------|
| *** ASSEMBLY : 159-882074-60-00 COMMON PART FOR CASING ASS'Y (B/G) |  |           |                   |            |
| 008-550201-05  | DEGAUSSING COIL 60T 44MM X 34 MM (W/FIVE LAYERS OF TAPE) |           |                   |            |
|  | LS02   |           |                   |            |
| 166-183040-40  | SPEAKER 4" 3W 6OHM                                       |           |                   |            |
| 179-105000-00  | UL PVC TUBE 5MM DIA                                      |           |                   |            |
|  | L=950MM, 400MM FOR SPK. 'L', 550MM FOR SPK. 'R'          |           |                   |            |
| 191-200044-09  | Z PIN SOCKET ASSM'Y L=440MM                              |           |                   |            |
|  | CN202 '2' TO SPK. L'-, '1' TO SPK. L'+'                  |           |                   |            |
| 191-200056-09  | Z PIN SOCKET ASSM'Y L=560MM                              |           |                   |            |
|  | CN201 '2' TO SPK. R'-, '1' TO SPK. R'+'                  |           |                   |            |
| 809-305010-00  | MACHINE SCREW 3 X 10 KM BLACK                            |           |                   |            |
|  | JACK PLATE MTG.  |           |                   |            |
| 514-400425-10  | SELF-TAPPING SCREW 4 X 25 B/T (HARDEN)                   |           |                   |            |
|  | 12 FOR CRT MTG. 3 FOR CAB MTG                            |           |                   |            |
| 514-400435-10  | SELF-TAPPING SCREW 4 X 35 B/T (HARDEN)                   |           |                   |            |
|  | FOR CAB MTG  |           |                   |            |
| 515-303310-10  | SELF-TAPPING SCREW 3 X 10 W/P/A (HARDEN)                 |           |                   |            |
|  | FOR SPEAKER MTG.   |           |                   |            |
| 515-303410-10  | SELF-TAPPING SCREW 3 X 10 W/B/T (HARDEN)                 |           |                   |            |
|  | 12 FOR MAIN PCB . 2 FOR PUSH BUTTON                      |           |                   |            |
| 515-306320-10  | SELF-TAPPING SCREW 3 X 20 W/P/A (HARDEN)                 |           |                   |            |
|  | FOR SPK. MTG.  |           |                   |            |
| 515-306412-10  | SELF-TAPPING SCREW 3 X 12 W/B/T (HARDEN)                 |           |                   |            |
|  | 1 FOR AC LINE CORD MTG.                                  |           |                   |            |
| 622-882802-00  | FELT L240 X W17 X T0.5MM W/TAPE                          |           |                   |            |
|  | FOR REAR CAB.  |           |                   |            |
| 630-173016-00  | FIBRE WASHER OD=17 ID=3 T=1.6                            |           |                   |            |
|  | AC LINE CORD MTG   |           |                   |            |
| 728-882001-00  | CRT MTG. BRACKET W/NUT                                   |           |                   |            |
|  | CRT MTG.   |           |                   |            |
| 737-143010-00  | METAL WASHER OD=14 ID=3 T=1                              |           |                   |            |
|  | FOR SPK. MTG   |           |                   |            |
| 744-881301-00  | SPRING FOR C.R.T. MOUNTING 5.2 X 42 X 0.6MM              |           |                   |            |
| 777-892002-00  | SPRING   |           |                   |            |
|  | FOR POWER KNOB   |           |                   |            |
| 834-230801-00  | RUBBER WASHER OD=23 . ID=8 . T=1.0                       |           |                   |            |
|  | FOR CRT MTG  |           |                   |            |
| 834-230805-00  | RUBBER WASHER OD=23 ID=8 T=0.5                           |           |                   |            |
|  | CRT MTG (LOWER)  |           |                   |            |
| 840-011024-21  | PAD CORD L240 X W10 X T1 MM W/TAPE                       |           |                   |            |
|  | FOR BETWEEN CRT AND FRONT CAB.                           |           |                   |            |
| 902-882001-02  | BACK CABINET - MATT BLACK SPRAY                          |           |                   |            |
| 920-882002-01  | MTG. BRACKET   |           |                   |            |
| 948-882001-01  | DEGAUSSING COIL MTG. CLIP                                |           |                   |            |
| 948-882003-00  | DOOR LOCKER  |           |                   |            |
| 954-882001-01  | SPEAKER BOX HOLDER                                       |           |                   |            |
|  | FOR FRONT CAB  |           |                   |            |
| 954-892001-00  | HIGH VOLTAGE SPACER                                      |           |                   |            |
|  | FOR CRT  |           |                   |            |

| Component<br>Part | Description / Location                                    | Unit | Subs | Quantity<br>Required | Unit<br>Price |
|-------------------|---|------|------|----------------------|---------------|
| 977-882001-01     | PUSH BUTTON - BLACK MOULDED                               | BT   | 0    | 1.00000              | 0.0010        |
| 980-882014-01     | JACK PLATE W/SCART/BRASS INSERT (S21-882001-00 2 PCS./SET |      |      |                      |               |



| Component Part   | Description / Location   | Unit Sucs | Quantity Required | Unit Price |
|--|--|-----------|-------------------|------------|
| *** ASSEMBLY : 159-882074-80-04 NON-COMMON PART FOR CASING ASS'Y (M.BLK) |  |           |                   |            |
| 002-120001-46  | CRT20" A46KR082X09/A46KR089X09(SOUTH HEMISPHERE CRT) SAMS            |           |                   |            |
| 168-227503-14  | BATTERY 3A<br>PACKED IN GIFT BOX                                     |           |                   |            |
| 889-882001-1M  | RATING LABEL - TEAC DESIGN 240V                                      |           |                   |            |
| 884-882006-02  | PRESET PLATE - TEAC DESIGN (12 HOLES)                                |           |                   |            |
| 884-882020-02  | JACK COVER-TEAC DESIGN WHI SS.W/21 PIN SOCKET HOLE<br>FOR JACK PLATE |           |                   |            |
| 900-882002-01  | FRONT CABINET - MATT BLACK SPY                                       |           |                   |            |
| 905-882001-01  | SPEAKER BOX - BLACK MOULDED W/ BLACK SPRAY                           |           |                   |            |
| 917-882001-07  | REMOTE LENS - TEAC DESIGN  |           |                   |            |
| 919-882003-85  | PRESET DOOR - TEAC (A) DESIGN  |           |                   |            |
| 991-882002-01  | POWER KNOB - BLACK MOULDED   |           |                   |            |

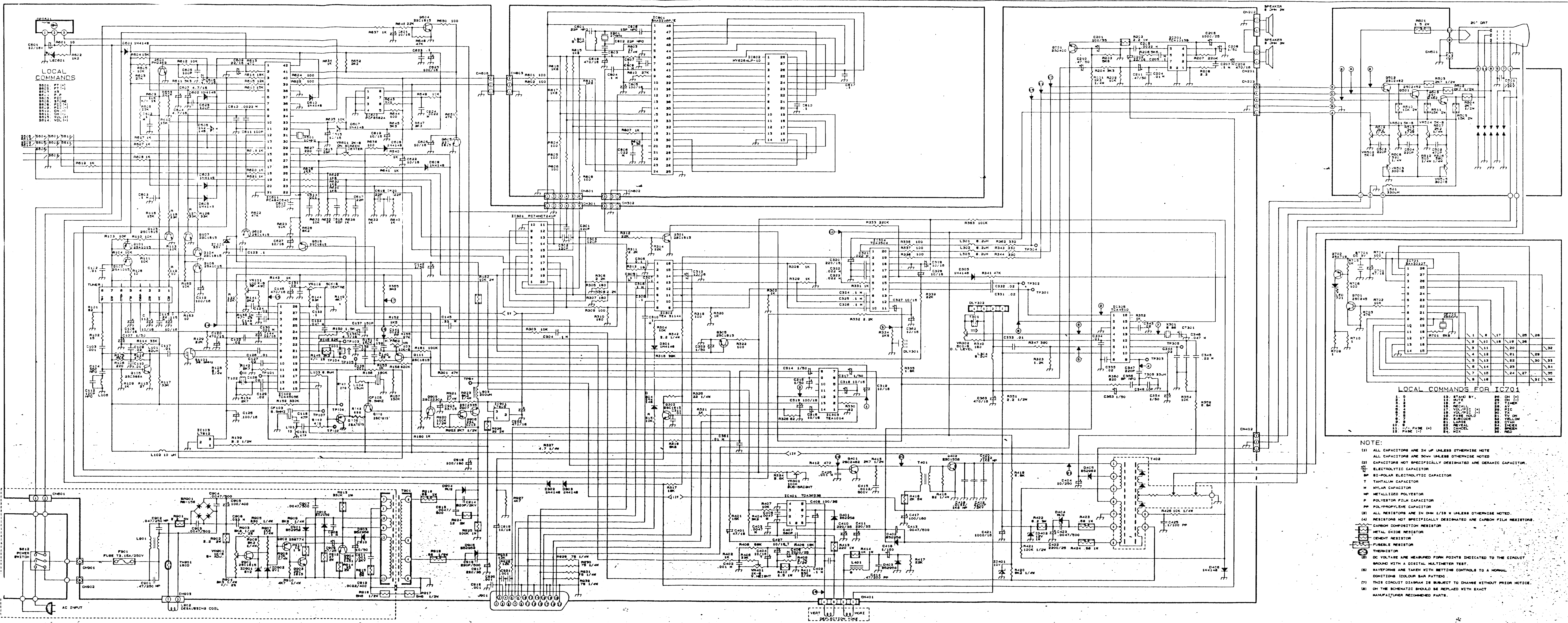
| Component Part   | Description / Location                                   | Unit Subs     | Quantity Required | Unit Price |
|--|--|---------------|-------------------|------------|
| *** ASSEMBLY : 160-000300-60-05 NON-COM FOR 2 PAGE S.TXT ASS'Y(W.EUROPE) |  |               |                   |            |
| 105-399101-02  | FIXED INDUCTIVE COIL 3.9 OHM<br>L801                     |               | 10%               |            |
| 113-100105-17  | CARBON FILM RESISTOR 10 OHM<br>R803                      | 1/4W          | +5%               |            |
| 113-101105-17  | CARBON FILM RESISTOR 100 OHM<br>R804,805,806,808,801,802 | 1/4W          | +5%               |            |
| 113-102105-17  | CARBON FILM RESISTOR 1K OHM<br>R807,821,851              | 1/4W          | +5%               |            |
| 113-103105-17  | CARBON FILM RESISTOR 10K OHM<br>R852                     | 1/4W          | +5%               |            |
| 113-152105-17  | CARBON FILM RESISTOR 1.5K OHM<br>R850                    | 1/4W          | +5%               |            |
| 113-162105-17  | CARBON FILM RESISTOR 1.6K OHM<br>R816,817,814,815        | 1/4W          | +5%               |            |
| 113-271105-17  | CARBON FILM RESISTOR 270 OHM<br>R820                     | 1/4W          | +5%               |            |
| 113-273105-17  | CARBON FILM RESISTOR 27K OHM<br>R810                     | 1/4W          | +5%               |            |
| 113-332105-17  | CARBON FILM RESISTOR 3.3K OHM<br>R822,809                | 1/4W          | +5%               |            |
| 113-391105-17  | CARBON FILM RESISTOR 390 OHM<br>R854                     | 1/4W          | +5%               |            |
| 113-472105-17  | CARBON FILM RESISTOR 4.7K OHM<br>R855                    | 1/4W          | +5%               |            |
| 113-681105-17  | CARBON FILM RESISTOR 680 OHM<br>R853                     | 1/4W          | +5%               |            |
| 123-100340-80  | CERAMIC CAP. 10PF +-5% 50V<br>C802                       | (SL TYPE)     |                   |            |
| 123-102350-90  | CERAMIC CAP. 0.001 MFD 50V<br>C801                       | +10% (B TYPE) |                   |            |
| 123-104270-90  | CERAMIC CAP. 0.1 MFD 25V +80<br>C803,807,810,851         | -20%          |                   |            |
| 123-150340-93  | CERAMIC CAP. 15 PF 50V +-5%<br>C808                      | (NPO)         |                   |            |
| 126-104071-01  | MYLAR CAP. 0.1 MFD 50V +-10%<br>C804,809,850             |               |                   |            |
| 126-223071-01  | MYLAR CAP. 0.022 MFD 50V +-10%<br>C806                   |               |                   |            |
| 127-107042-03  | ELECT. CAP. 100 MFD 16V +-20%<br>C805                    |               |                   |            |
| 127-477042-03  | ELECT. CAP. 470 MFD 16V +-20%<br>C818                    |               |                   |            |
| 130-134148-01  | SILICON DIODE IN4148<br>D805                             |               |                   |            |
| 131-211015-00  | TRANSISTOR 2SA1015 TOSHIBA<br>G802                       |               |                   |            |
| 131-231815-25  | TRANSISTOR 2SC1815 TOSHIBA<br>G801                       |               |                   |            |

| Component Part  | Description / Location   | Unit Subs | Quantity Required | Unit Price |
|---|--|-----------|-------------------|------------|
| *** ASSEMBLY : 163-882074-60-04 NON-COMMON PART FOR PACKING ASS'Y (B/G) |  |           |                   |            |
| 610-882004-87   | GIFT BOX - TEAC (A) DESIGN WITH HANDLE.  |           |                   |            |
| 663-230594-93   | SERIAL NO. LABEL - OC:GT-594/93<br>1 PC STICK ON CTN. 1 PC STICK ON RATING LABEL |           |                   |            |
| 670-882000-74   | INSTRUCTION MANUAL - TEAC (B) DESIGN (40 PAGES)                                  |           |                   |            |
| 678-881301-04   | SYSTEM LABEL - PAL EG  |           |                   |            |
| 678-882000-11   | SERVICE CONTACT STICKER - TEAC DESIGN  |           |                   |            |
| 678-882000-23   | SCREEN STICKER-TEAC (B) DESIGN WITH MODEL NO. (CT-H485)                          |           |                   |            |
| 682-230594-93   | DATE CODE LABEL - OC:GT-594/93   |           |                   |            |
| 690-882039-01   | WARRANTY CARD - TEAC DESIGN  |           |                   |            |
| 693-882002-08   | EAN CODE LABEL - 9313060004194   |           |                   |            |
| 800-882005-00   | POLYFOAM - TOP LEFT  |           |                   |            |
| 800-882006-00   | POLYFOAM - TOP RIGHT   |           |                   |            |
| 800-882007-00   | POLYFOAM - BOTTOM LEFT   |           |                   |            |
| 800-882008-00   | POLYFOAM - BOTTOM RIGHT  |           |                   |            |
| 810-041004-13   | POLYBAG 4" X 10" X 0.04MM W/RE-CYCLING MARK<br>FOR HANDSET                       |           |                   |            |
| 810-052204-14   | POLYBAG 5" X 22" X 0.04MM PO MAT W/RE-CYCLING MARK                               |           |                   |            |
| 810-091504-13   | POLYBAG 9" X 15" X 0.04MM W/ RE-CYCLING MARK<br>FOR INSTRUCTION MANUAL           |           |                   |            |
| 810-373704-14   | POLYBAG 37"X37"X0.04MM W/PUNCHHOLE & RE-CYCLING MARK P/O F<br>FOR UNIT           |           |                   |            |
| 826-363605-00   | FOAM SHEET - 36" X 36" X 0.5MM<br>FOR UNIT                                       |           |                   |            |

NO PRICE ITEM : 0

\*\*\* END OF REPORT \*\*\*

| Component Part | Description / Location   | Unit | Subs | Quantity Required | Unit Price |   |
|----------------|--|------|------|-------------------|------------|---|
| 133-102411-31  | I.C. ST24C0181 SGS<br>IC602                                      | FC   | 0    | 1.00000           | 0.6250     | 0 |
| 133-135245-33  | I.C. SAA5245AP/E PHILIPS (M6)<br>IC601                           |      |      |                   |            |   |
| 133-306264-00  | I.C. HY6264LP-10 HYUNDAI<br>IC602                                |      |      |                   |            |   |
| 137-270000-30  | CRYSTAL 27 MHZ NEK<br>X801                                       |      |      |                   |            |   |
| 160-103255-27  | PIN CONNECTOR 3 PINS PLUG<br>CN602,603,606,302                   |      |      |                   |            |   |
| 160-106255-27  | PIN CONNECTOR 6 PINS WAFER (SHS) S11-W<br>CN601,301              |      |      |                   |            |   |
| 172-726000-99  | BARE WIRE 54MM<br>W808-809,812,815-816,818                       |      |      |                   |            |   |
| 190-882004-05  | TELETEXT P.C.B. (110393)   |      |      |                   |            |   |
| 191-301202-07  | 3 PIN SOCKET ASSM'Y<br>CN606 TO CN603                            |      |      |                   |            |   |
| 191-301203-07  | 3 PIN SOCKET ASSM'Y<br>CN302 TO CN602                            |      |      |                   |            |   |
| 191-601201-00  | 6 PIN SOCKET ASS'Y<br>CN301 TO CN601                             |      |      |                   |            |   |
| 514-303408-10  | SELF-TAPPING SCREW 3 X 8 B/T (HARDEN)<br>FOR TELETEXT BOARD MTG. |      |      |                   |            |   |



**LOCAL COMMANDS**

|    |    |    |    |    |    |    |    |    |    |
|----|----|----|----|----|----|----|----|----|----|
| 0  | 1  | 2  | 3  | 4  | 5  | 6  | 7  | 8  | 9  |
| 10 | 11 | 12 | 13 | 14 | 15 | 16 | 17 | 18 | 19 |
| 20 | 21 | 22 | 23 | 24 | 25 | 26 | 27 | 28 | 29 |
| 30 | 31 | 32 | 33 | 34 | 35 | 36 | 37 | 38 | 39 |
| 40 | 41 | 42 | 43 | 44 | 45 | 46 | 47 | 48 | 49 |
| 50 | 51 | 52 | 53 | 54 | 55 | 56 | 57 | 58 | 59 |
| 60 | 61 | 62 | 63 | 64 | 65 | 66 | 67 | 68 | 69 |
| 70 | 71 | 72 | 73 | 74 | 75 | 76 | 77 | 78 | 79 |
| 80 | 81 | 82 | 83 | 84 | 85 | 86 | 87 | 88 | 89 |
| 90 | 91 | 92 | 93 | 94 | 95 | 96 | 97 | 98 | 99 |

**LOCAL COMMANDS FOR IC701**

|    |    |    |    |    |    |    |    |    |     |
|----|----|----|----|----|----|----|----|----|-----|
| 1  | 2  | 3  | 4  | 5  | 6  | 7  | 8  | 9  | 10  |
| 11 | 12 | 13 | 14 | 15 | 16 | 17 | 18 | 19 | 20  |
| 21 | 22 | 23 | 24 | 25 | 26 | 27 | 28 | 29 | 30  |
| 31 | 32 | 33 | 34 | 35 | 36 | 37 | 38 | 39 | 40  |
| 41 | 42 | 43 | 44 | 45 | 46 | 47 | 48 | 49 | 50  |
| 51 | 52 | 53 | 54 | 55 | 56 | 57 | 58 | 59 | 60  |
| 61 | 62 | 63 | 64 | 65 | 66 | 67 | 68 | 69 | 70  |
| 71 | 72 | 73 | 74 | 75 | 76 | 77 | 78 | 79 | 80  |
| 81 | 82 | 83 | 84 | 85 | 86 | 87 | 88 | 89 | 90  |
| 91 | 92 | 93 | 94 | 95 | 96 | 97 | 98 | 99 | 100 |

- NOTE:**
- ALL CAPACITORS ARE IN  $\mu$ F UNLESS OTHERWISE NOTED
  - ALL RESISTORS ARE IN  $\Omega$  UNLESS OTHERWISE NOTED
  - CAPACITORS NOT SPECIFICALLY DESIGNATED ARE CERAMIC CAPACITORS
  - ELECTROLYTIC CAPACITOR
  - BI-POLAR ELECTROLYTIC CAPACITOR
  - TANTALUM CAPACITOR
  - MILAR CAPACITOR
  - METALLIZED POLYESTER
  - POLYESTER FILM CAPACITOR
  - POLYPROPYLENE CAPACITOR
  - ALL RESISTORS ARE IN  $\Omega$  UNLESS OTHERWISE NOTED
  - RESISTORS NOT SPECIFICALLY DESIGNATED ARE CARBON FILM RESISTORS
  - CARBON COMPOSITION RESISTOR
  - METAL OXIDE RESISTOR
  - CEMENT RESISTOR
  - FILMBASE RESISTOR
  - DC VOLTAGE ARE MEASURED FROM POINTS INDICATED TO THE CIRCUIT BOARD WITH A DIGITAL MULTIMETER TEST
  - WAVEFORMS ARE TAKEN WITH BETTING CONTROLS TO A NORMAL CONDITION (COLOUR BAR PATTERN)
  - THIS CIRCUIT DIAGRAM IS SUBJECT TO CHANGE WITHOUT PRIOR NOTICE
  - ON THE SCHEMATIC SHOULD BE REPLACED WITH EXACT MANUFACTURER RECOMMENDED PARTS.

